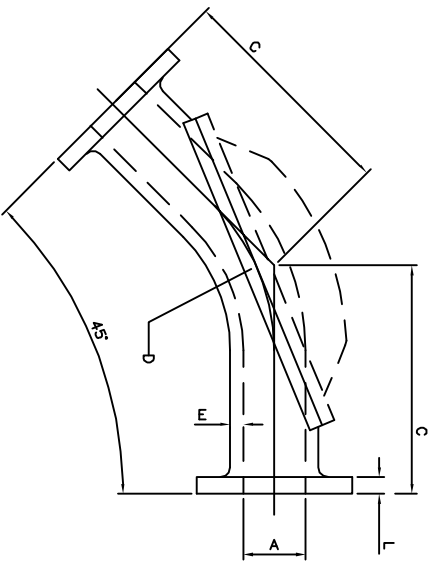
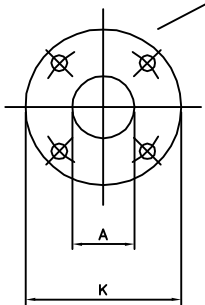


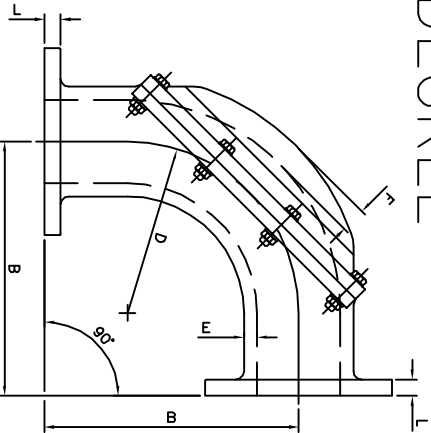
45 DEGREE



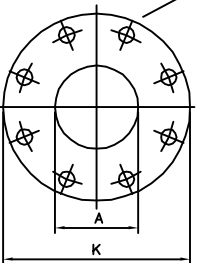
G HOLES 4H EQUI-
SPACED AS SHOWN ON
J BCD (150IB ASA)
SAME BOTH FLANGES



90 DEGREE



G HOLES 4H EQUI-
SPACED AS SHOWN ON
J BCD (150IB ASA)
SAME BOTH FLANGES



SIZE	A	B	C	D	E	F	G	H	J	K	L	WGHT
2"	2	8	8	5	1/2	1 1/8	4	3/4	4 1/2	6	7/8	55
3"	3	12 3/8	11	9 7/8	5/8	2	4	3/4	6	7 1/2	3/4	115
4"	4	12 1/2	12 1/2	8 1/4	5/8	1 1/4	8	3/4	7 1/2	9	3/4	140
5"	5	13 3/4	15	9 7/8	1 1/8	2	8	7/8	8 1/2	10 1/4	1	175
6"	6	15	17	11 3/4	1 1/8	2	8	7/8	9 1/2	11 1/4	7/8	245
8"	8	20	22	16	3/4	2 5/8	8	7/8	11 3/4	13 1/2	1 1/8	550
10"	10	26	25	26	3/4	2	12	1	14 1/4	16	1	850

DIMENSIONS ARE FOR GENERAL GUIDANCE ONLY.
SPECIFICATIONS ARE SUBJECT TO CHANGE WITHOUT NOTICE.



CAROLINA CONVEYING INC
BEAVERDAM INDUSTRIAL PARK
162 GREAT OAK DRIVE, CANTON, NC 28716
Tel : (828) 235-1005 Fax : (828) 235-1006

This drawing is the property of Carolina Conveying and is loaned subject to the condition that it shall not be reproduced, copied, loaned or submitted to others without our consent.

CLIENT	STANDARD	TITLE	NI-HARD WEARBACK ELBOWS, 45 & 90 DEGREE TYPICAL DIMENSIONS
SCALE	N.T.S.	DRAWING No.	NIWB-GA-TABLE-1
DRAWN	CHECKED	APPROVED	
PCG			
21AUG09			ISSUE 1

