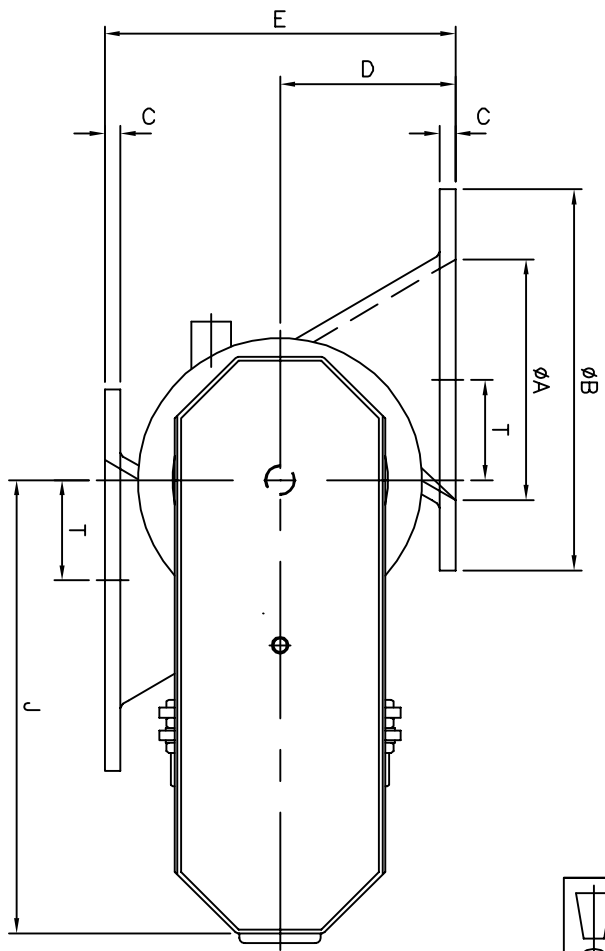
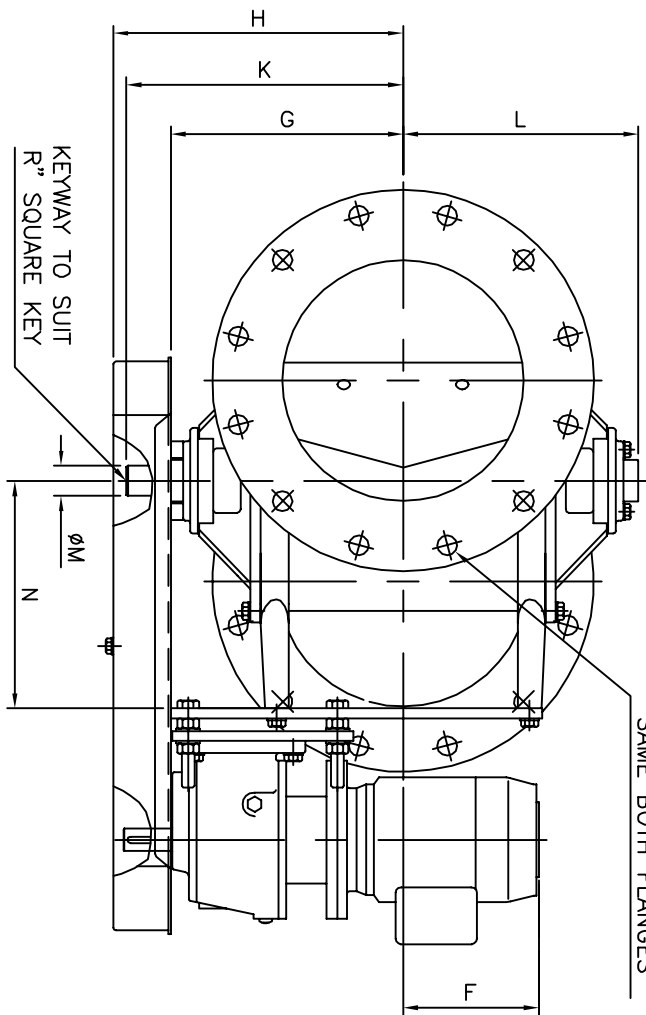


O HOLES ϕ P EQUI-
SPACED AS SHOWN ON
Q BCD (150lb ASA)
SAME BOTH FLANGES



SIZE	A	B	C	D	E	F	G	H	J	K	L	M	N	O	P	Q	R	T	H.P.
6"	6	11	1/2	5	10	8 1/4	8 1/4	11 1/2	18 3/4	10 1/4	8 1/4	1 1/4	7 7/8	8	7/8	9 1/2	1 1/4	3	0.5
8"	8	13 1/2	5/8	6 1/2	13	7 1/4	9 1/4	12 1/2	18 1/4	11 1/4	9 7/8	1 1/4	7 7/8	8	7/8	11 3/4	1 1/4	3 3/8	0.5
10"	10	16	3/4	7 1/2	15	8 5/8	10 3/8	13 5/8	22 1/8	12 5/8	10 1/8	1 1/2	9 3/4	12	1	14 1/4	3/8	4 1/4	1
12"	12	19	3/4	8 3/4	17 1/2	7 1/4	11 5/8	14 7/8	22 5/8	13 3/4	11 3/4	1 1/2	11 5/8	12	1	17	3/8	5	1
14"	14	21	7/8	10 1/2	21	7	12	15 1/4	25 3/8	14 1/8	12 3/8	1 1/2	13	12	1 1/8	18 3/4	3/8	5 1/2	1
20"	20	29 1/8	1	14	28	5 1/4	16 5/8	21	29 3/4	19 5/8	16 5/8	2 1/2	21 1/4	20	1 1/4	25	5/8	7 7/8	2



CAROLINA CONVEYING INC
BEAVERDAM INDUSTRIAL PARK
162 GREAT OAK DRIVE, CANTON, NC 28716
Tel : (828) 235-1005 Fax : (828) 235-1006

This drawing is the property of Carolina Conveying and is loaned subject to the condition that it shall not be reproduced, copied, loaned or submitted to others without our consent.

CLIENT	STANDARD	TITLE	ROUND INLET SIDE ENTRY ROTARY AIRLOCKS GENERAL ARRANGEMENT
SCALE	N.T.S.	DRAWING No.	ORV-GA-RDTABLE-1
DRAWN	PCG	CHECKED	
		APPROVED	
AMENDMENTS		ISSUE	1