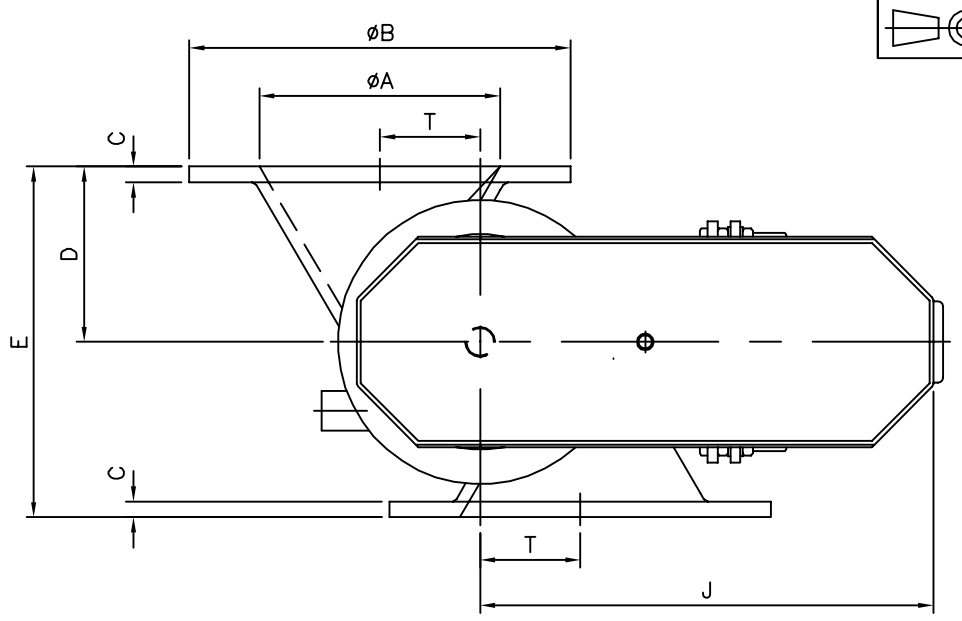
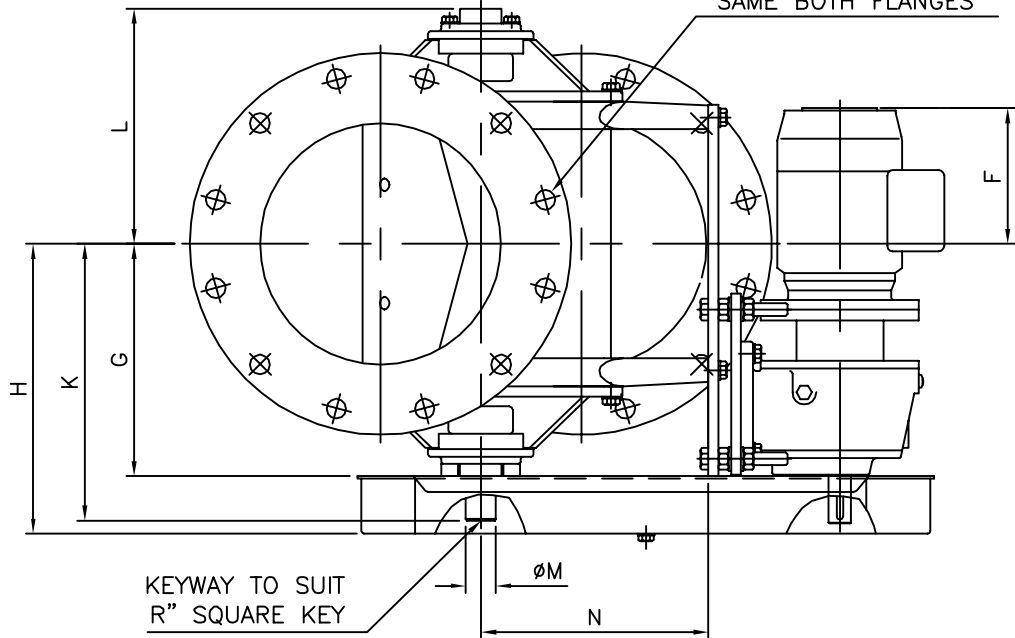


O HOLES ϕ P EQUI-
SPACED AS SHOWN ON
Q BCD (150lb ASA)
SAME BOTH FLANGES



SIZE	A	B	C	D	E	F	G	H	J	K	L	M	N	O	P	Q	R	T	H.P.
6"	6	11	1/2	5	10	8 1/4	8 1/4	11 1/2	18 3/4	10 1/4	8 1/4	1 1/4	7 7/8	8	7/8	9 1/2	1/4	3	0.5
8"	8	13 1/2	5/8	6 1/2	13	7 1/4	9 1/4	12 1/2	18 1/4	11 1/4	9 3/16	1 1/4	7 7/8	8	7/8	11 3/4	1/4	3 3/8	0.5
10"	10	16	3/4	7 1/2	15	8 5/8	10 3/8	13 5/8	22 7/16	12 5/8	10 9/16	1 1/2	9 3/4	12	1	14 1/4	3/8	4 1/4	1
12"	12	19	3/4	8 3/4	17 1/2	7 1/4	11 5/8	14 7/8	22 5/8	13 3/4	11 3/4	1 1/2	11 5/16	12	1	17	3/8	5	1
14"	14	21	7/8	10 1/2	21	7	12	15 1/4	25 3/8	14 3/16	12 1/8	1 1/2	13	12	1 1/8	18 3/4	3/8	5 1/2	1
20"	20	29 9/16	1	14	28	5 1/2	16 5/8	21	29 3/4	19 7/8	16 7/8	2 1/2	21 1/4	20	1 1/4	25	5/8	7 7/8	2



CAROLINA CONVEYING INC
BEAVERDAM INDUSTRIAL PARK
162 GREAT OAK DRIVE, CANTON, NC 28716
Tel : (828) 235-1005 Fax : (828) 235-1006

This drawing is the property of Carolina Conveying and is loaned subject to the condition that it shall not be reproduced, copied, loaned or submitted to others without our consent.

CLIENT
STANDARD

SCALE N.T.S.

DRAWN	CHECKED	APPROVED
PCG		
05APR07		

TITLE
ROUND INLET SIDE ENTRY
ROTARY AIRLOCKS
GENERAL ARRANGEMENT

DRAWING No.
ORV-GA-RDTABLE-1

ISSUE 1

AMENDMENTS