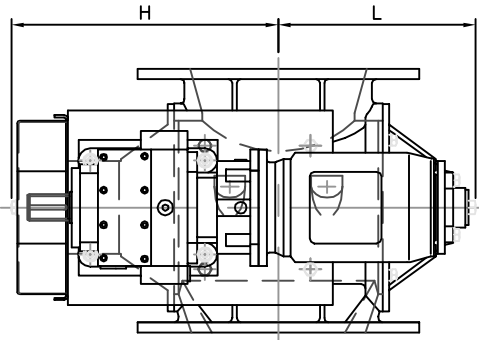
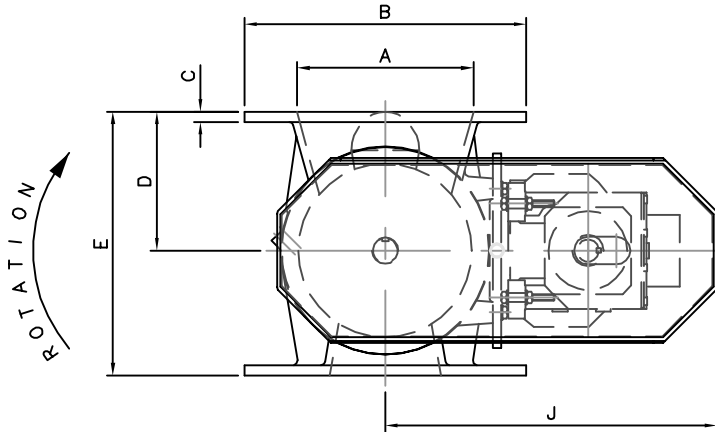


SIZE	A	B	C	D	E	G	H	K	L	M	O	P	Q	H.P.
6"	6	11 1/4	1/2	5 1/2	10 5/8	9 3/4	13	11 7/8	8 3/4	21 1/4	8	7/8	9 1/2	0.5
8"	8	13 1/2	1/2	6 1/4	12 1/4	10 3/4	14	12 3/4	9 1/2	24 5/8	8	7/8	11 3/4	0.5
10"	10	16	5/8	7 7/8	15	11 7/8	15 1/8	14 1/4	11 1/4	27 3/4	12	1	14 1/4	1.0
12"	12	19	3/4	9 1/2	18 1/4	13 1/8	16 3/8	15 3/8	12 7/8	31 1/2	12	1	17	1.0



DIMENSIONS ARE FOR GENERAL GUIDANCE ONLY. SPECIFICATIONS ARE SUBJECT TO CHANGE WITHOUT NOTICE.



CAROLINA CONVEYING INC
 BEAVERDAM INDUSTRIAL PARK
 162 GREAT OAK DRIVE, CANTON, NC 28716
 Tel : (828) 235-1005 Fax : (828) 235-1006

This drawing is the property of Carolina Conveying and is loaned subject to the condition that it shall not be reproduced, copied, loaned or submitted to others without our consent.

CLIENT
 STANDARD

TITLE
 ROUND EASY CLEAN
 ROTARY AIRLOCK & DRIVE
 TYPICAL DIMENSIONS

SCALE
 N.T.S.

DRAWING No.
 ECRV-GA-RD TABLE-1

DRAWN	CHECKED	APPROVED
PCG		
22OCT08		

ISSUE 1

AMENDMENTS