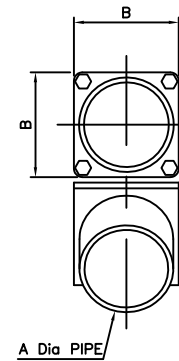
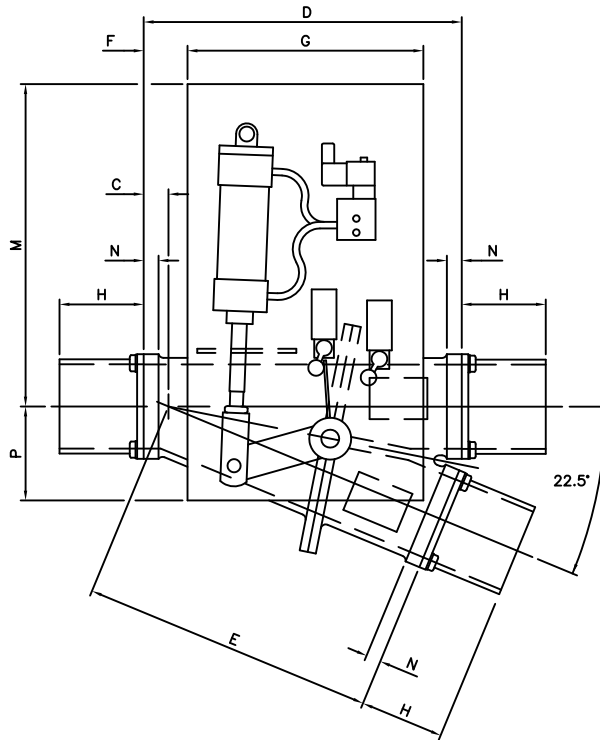


RIGHT HAND UNIT SHOWN
LEFT HAND UNIT ALSO AVAILABLE



SIZE	A Pipe	B	C	D	E	F	G	H	J	K	L	M	N	P
2	2" N/B	3 3/4	3/4	11	10 1/4	0	9 7/8	4	3 5/8	7 5/8	3 1/2	13 1/8	3/4	3
2 1/2	2 1/2" N/B	4	3/4	11 3/4	11	3/16	9 3/4	4	4	8	4	13	3/4	3 1/4
3	3" N/B	4 1/2	3/4	14 1/8	13 3/8	1	9 3/4	4	4 3/8	8 1/2	4 3/8	12 3/4	3/4	3 3/8
4	4" N/B	5	1 1/4	15 3/16	14	2	11 1/4	4	5 5/8	9 5/8	5 1/2	15 3/8	3/4	4 1/2
5	5" N/B	6	1 1/4	19	17 7/8	4	11 1/4	4	6 3/8	10 3/8	6 3/8	15	3/4	4 7/8
6	6" N/B	7 3/4	1 3/8	22 3/8	21	4 3/4	11 1/4	4	7 1/8	11 1/4	7	15	3/4	5



CAROLINA CONVEYING INC
BEAVERDAM INDUSTRIAL PARK
162 GREAT OAK DRIVE, CANTON, NC 28716
Tel : (828) 235-1005 Fax : (828) 235-1006

This drawing is the property of Carolina Conveying and is loaned subject to the condition that it shall not be reproduced, copied, loaned or submitted to others without our consent.

CLIENT

SCALE N.T.S.

DRAWN	CHECKED	APPROVED
-------	---------	----------

PCG

20jul07

TITLE PNEUMATIC CONVEYING
DIVERTER, 22.5 DEGREE
DIVERT ANGLE

DRAWING No.
CDV-GA-TABLE-1

ISSUE 1

AMENDMENTS