



# Carolina Conveying

## Standard Duty Rotary **Airlocks**



the power  
in  
powders

Carolina Conveying Inc., 162 Great Oak Drive, Canton NC 28716.  
☎ (828) 235-1005 📠 (828) 235-1006 📧 [sales@carolinaconveying.com](mailto:sales@carolinaconveying.com)

## Standard Duty Drop Thru Rotary Airlock

The **Standard Duty Drop Thru Rotary Airlock** is a less expensive alternative to the Heavy Duty Airlocks, and is ideal for applications where a more robust valve is not required. The Standard Duty Airlock is used in gravity flow or low-pressure differential applications, such as on the bottom of a dust collector, and are used for handling dry, free flowing, non-abrasive materials. These units are precision machined for tight tolerances, as with all of our rotary airlocks, to insure minimal air leakage.

### Standard Features

- Round or Square Flanges
- Cast Iron Body and End Covers
- Fabricated Mild Steel, Closed End, Fixed Blade Rotor
- Inboard, Sealed For Life Bearings
- Nitrile Lip Seal Glands
- Direct Drive Right Angle Gearbox
- C-face Motor
- Maximum Temperature Rating of 150° F

### Capacities

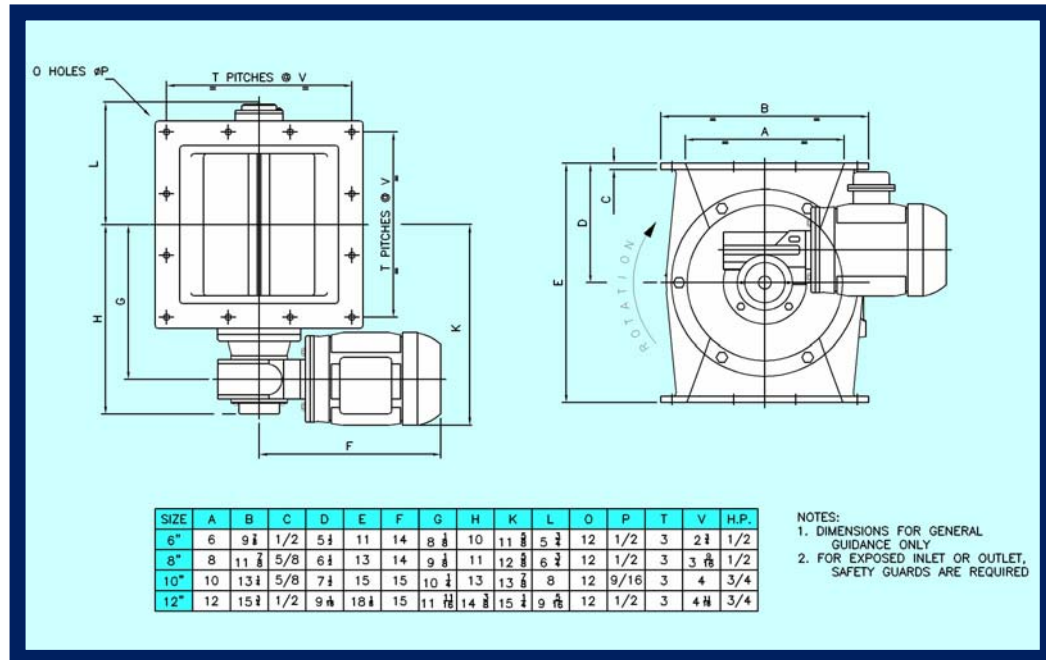
- 6" ~ 65 cfh @ 29 rpm
- 8" ~ 180 cfh @ 29 rpm
- 10" ~ 365 cfh @ 26 rpm
- 12" ~ 700 cfh @ 26 rpm

Capacities are approximate and based on a free flowing material with a bulk density greater than 20 pcf. For lower capacities or for variable throughput, a variable speed drive is available.

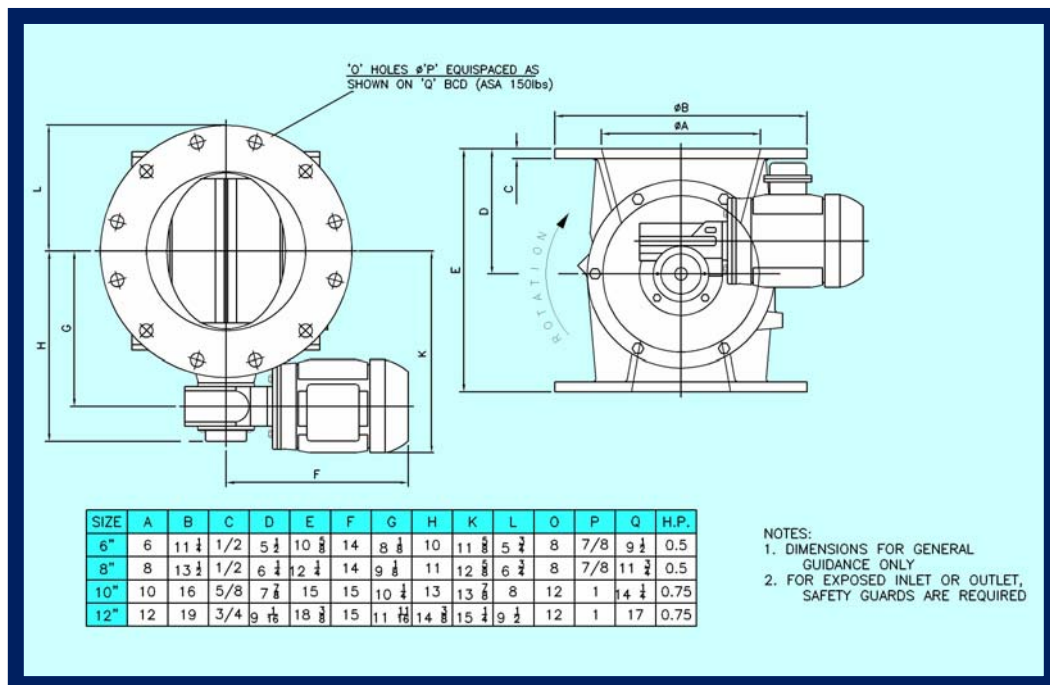
### Advantages

- Cast Body and End Covers
- Precision Machined for Tight Tolerances
- Closed End Rotor keeps material away from end covers and shaft seals
- Steel rotor vanes provide longer life and less maintenance than competitor's rubber tips typically used on lighter duty applications.
- ASA 150# Bolt Hole Pattern on Round Units
- Compact Design
- C-face motors
- Economical Price

## Square Inlet Dimensions



## Round Inlet Dimensions



All dimensions are in inches.  
 Dimensions are subject to change without notice.



# Carolina Conveying

## Heavy Duty Rotary Airlock Range

- Drop Thru Airlock



- Blow Thru Airlock



- Side Entry Airlock



- Easy Clean Airlock

